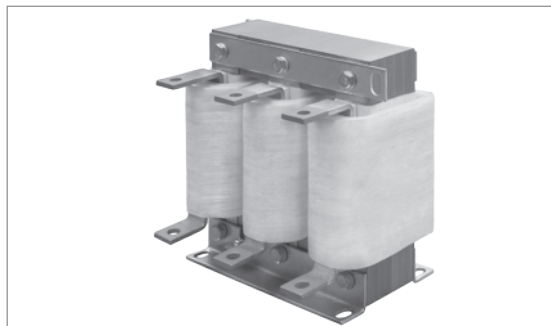


产品简述 (Product Profile)

使用在矿山设备中。由于使用环境恶劣，设备要求可靠性高，安全等级高。电抗器在设计时充分考虑矿山设备特殊要求，保证电抗器结构强度高，绝缘好，温升低，漏电流小，充分保证其安全等级。可改善输入电流波形和平衡度；抑制高次谐波，限制合闸涌流；提高系统功率因数。

Reactor for Mining Inverter is applied to mining equipment. Due to the harsh working condition, high reliability and safety is very necessary. With the special mining circumstances taken into full consideration, the reactor should be strong in structural strength and high in insulation, with low temperature rise and little leakage current; it is designed to improve the input current waveform and balance degree, restrain high harmonic, limit operating impulse and improve system power factor.



产品特点 (Product Features)

电抗器采用优质冷轧取向硅钢片，损耗低，高频特性好；设计磁通密度低，线性度好，过载能力强。绕组电密取值低，降低了绕组的损耗，从而使温升降低。电抗器浸渍工艺采用真空压力浸渍，浸渍充分，油膜厚，电抗器噪音低，耐腐蚀性高，防潮性能强。线圈采用H级绝缘，大大提高了长期运行的可靠性。体积小，安装方便，性能稳定，抗短路能力强。设计温升小于70K，噪音小于75dB。绝缘性能好，泄露电流小。设计参考标准GB/T 14093.7-2009。

With the core made of grain-oriented cold rolled silicon steel sheets, the reactor boasts excellent high frequency performance and low core loss. Designed with low magnetic flux density, the reactor is of high linearity and powerful overload capacity. Low current density brings low loss and temperature rise. VPI process makes the reactor fully immersed and the oil film thicker, which contributes to the low noise, good corrosion resistance and good moisture performance of the products. The coil insulation class is H, greatly improving the reliability of the long-term operation; more advantages are compact structure, easy installation, stable performance and strong anti-short circuit ability, temperature rise less than 70K, noise less than 75dB, good insulation performance, small leakage currents, etc.

产品尺寸图 (Product Size)

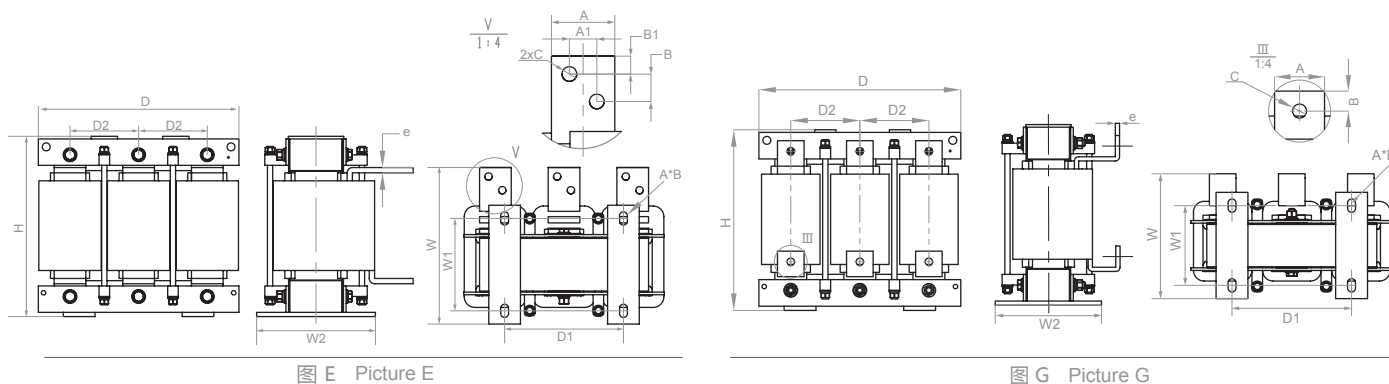


图 E Picture E

图 G Picture G

防爆电抗器

Reactor for Mining Inverter

防爆输入电抗器选型表 Mining Inverter Input Reactor Selection Table

序号 №	功率 Power (KVA)	电压 Voltage (V)	额定 电流 Rated current (A)	电感 Inductance value (mH)	绝缘 等级 Insulation class	电抗型号 Product type	图号 Picture No.	产品规格 Product Specifications								
								D*H*W (mm)	D1*W1 (mm)	a*b (mm)	φc c(mm)	A*e (mm)	材质 Material	重量 Weight (kg)	包装 数量 QTY	包装代码 Package code
1	110	660	110	0.46	H	FBLA-0110-EISC-6423	G	300*250*280	200*250	12*20	11	20*5	Cu	40	1	G3
2	132	660	147	0.25	H	FBLA-0147-EISC-6423	G	250*250*240	200*190	12*20	11	20*5	Cu	45	1	F3
3	200	660	200	0.25	H	FBLA-0200-EISC-6423	E	420*300*350	250*300	15*25	11	20*5	Cu	100	1	K1
4	250	660	280	0.13	H	FBLA-0280-EISC-6423	G	250*300*250	200*210	12*20	11	20*5	Cu	65	1	F3
5	400	660	380	0.13	H	FBLA-0380-EISC-6423	E	330*400*340	250*300	15*25	11	40*5	Cu	130	1	I4
6	400	660	400	0.09	H	FBLA-0400-EISC-6423	G	370*340*350	250*300	15*25	2-φ11	50*5	Cu	120	1	J3
7	500	660	500	0.10	H	FBLA-0500-EISC-6423	E	320*420*340	250*300	15*25	13	40*6	Cu	125	1	H5
8	500	660	560	0.07	H	FBLA-0560-EISC-6423	G	370*350*350	250*300	15*25	2-φ11	50*5	Cu	125	1	J3
9	630	660	630	0.09	H	FBLA-0630-EISC-6423		405*480*350	250*300	15*25	2-φ12	50*6	Cu	200	1	K5
10	200	1140	118	1.07	H	FBLA-0118-EISC-6423	E	420*300*350	250*300	15*25	11	20*5	Cu	125	1	K1
11	250	1140	162	0.39	H	FBLA-0162-EISC-6423		350*290*340	250*300	15*25	11	20*5	Cu	50	1	I4
12	400	1140	229	0.55	H	FBLA-0229-EISC-6423	G	425*340*365	250*300	15*25	11	30*5	Cu	185	1	K2
13	400	1140	260	0.24	H	FBLA-0260-EISC-6423A		360*350*340	250*300	15*25	11	20*5	Cu	110	1	I3
14	500	1140	290	0.44	H	FBLA-0290-EISC-6423	E	365*395*375	250*300	15*25	13	30*5	Cu	195	1	J4
15	630	1140	360	0.35	H	FBLA-0360-EISC-6423		500*420*390	250*300	15*25	13	40*5	Cu	280	1	L6
16	630	1140	385	0.20	H	FBLA-0385-EISC-6423	G	370*375*330	250*300	12*20	14	40*5	Cu	137	1	J4
17	630	1140	408	0.15	H	FBLA-0408-EISC-6423A	E	400*400*340	250*300	15*25	2-φ13	50*5	Cu	135		K4

防爆输出电抗器选型表 Mining Inverter Output Reactor Selection Table

序号 №	功率 Power (KVA)	电压 Voltage (V)	额定 电流 Rated current (A)	电感 Inductance value (mH)	绝缘 等级 Insulation class	电抗型号 Product mode	图号 Picture No.	产品规格 Product specifications								
								D*H*W (mm)	D1*W1 (mm)	a*b (mm)	φc c(mm)	A*e (mm)	材质 Material	重量 Weight (kg)	包装 数量 QTY	包装代码 Package code
1	500	660	448	0.08	H	FBLO-0448-EISC-6423		320*450*340	250*300	15*25	14	40*5	Cu	110	1	I5
2	132	1140	86	0.73	H	FBLO-0086-EISC-6423		320*290*340	250*300	15*25	11	20*5	Cu	60	1	H4
3	200	1140	130	0.49	H	FBLO-0130-EISC-6423		320*310*340	250*300	12*20	11	20*5	Cu	80	1	H4
4	250	1140	162	0.39	H	FBLO-0162-EISC-6423A		360*350*340	250*300	15*25	11	20*5	Cu	85	1	I3
5	400	1140	260	0.24	H	FBLO-0260-EISC-6423	E	360*380*340	250*300	15*25	11	20*5	Cu	120	1	I4
6	400	1140	260	0.24	H	FBLO-0260-EIWC-6423		360*260*455	300*400	12*20	11	20*5	Cu	120	1	I2
7	500	1140	324	0.19	H	FBLO-0324-EISC-6423		320*420*365	250*300	15*25	13	30*5	Cu	150	1	I5
8	1000	1140	350	0.20	H	FBLO-0350-EISC-6423C	G	420*390*340	250*300	15*25	13	40*5	Cu	180	1	K3
9	1000	1140	350	0.04	H	FBLO-0350-EISC-6423	E	315*320*332	250*300	12*20	14	40*5	Cu	70	1	H4
10	630	1140	408	0.15	H	FBLO-0408-EISC-6423	E	400*440*340	250*300	15*25	2-φ13	50*5	Cu	160	1	K4

防爆能量回馈电抗器选型表 Mining Inverter Energy Regenerated Reactor Selection Table

序号 №	功率 Power (KVA)	电压 Voltage (V)	额定 电流 Rated current (A)	电感 Inductance value (mH)	绝缘 等级 Insulation class	电抗型号 Product mode	图号 Picture No.	产品规格 Product specifications								
								D*H*W (mm)	D1*W1 (mm)	a*b (mm)	φc c(mm)	A*e (mm)	材质 Material	重量 Weight (kg)	包装 数量 QTY	包装代码 Package code
1	90	660	90	0.85	H	FBLE-0090-EISC-6423	G	320*280*280	200*250	12*20	11	20*5	Cu	85	1	H3
2	110	660	110	0.69	H	FBLE-0110-EISC-6423	G	320*320*280	200*250	12*20	11	20*5	Cu	90	1	H3
3	200	660	200	0.38	H	FBLE-0200-EISC-6423		480*350*350	250*300	15*25	11	20*5	Cu	200	1	L1
4	630	660	315	0.25	H	FBLE-0315-EISC-6423		520*435*370	250*300	15*25	11	30*5	Cu	245	1	L3
5	400	660	380	0.20	H	FBLE-0380-EISC-6423	E	350*500*340	250*300	15*25	11	40*5	Cu	200	1	L6
6	500	660	500	0.24	H	FBLE-0500-EISC-6423		485*500*435	250*360	15*25	13	40*6	Cu	370	1	L4
7	200	1140	118	2.13	H	FBLE-0118-EISC-6423		480*440*340	250*300	15*25	11	20*5	Cu	260	1	L2
8	630	1140	180	1.40	H	FBLE-0180-EISC-6423	G	550*500*340	250*300	15*25	11	20*5	Cu	350	1	M2
9	400	1140	229	1.10	H	FBLE-0229-EISC-6423	E	550*500*380	250*300	15*25	11	25*5	Cu	410	1	M2
10	500	1140	290	0.87	H	FBLE-0290-EISC-6423	G	545*510*465	250*360	15*25	13	30*5	Cu	450	1	M3
11	1000	1140	340	0.91	H	FBLE-0340-EISC-6423	E	590*525*420	250*360	15*25	14	40*5	Cu	539		N2

■ 包装代码对应一览表 (Package Code Table)

序号 No.	代号 Code	D	W	H	D _{max}	D _{min}	D _{max} -D _{min}	W _{max}	W _{min}	W _{max} -W _{min}	H _{max}	H _{min}	H _{max} -H _{min}	包装图 Package Outline
1	A1	220	330	300	110	80	30	200	168	32	168	168	20	
2	A2	220	360	300	110	110	0	240	240	0	240	240	0	
3	B1	220	330	300	130	125	5	168	168	0	168	168	0	
4	B2	220	430	335	138	120	18	300	270	30	270	270	25	
5	C2	220	360	315	155	155	0	240	168	72	168	168	10	
6	C3	255	430	380	165	155	10	320	130	190	130	130	20	
7	D3	300	290	420	210	185	25	200	150	50	150	150	40	
8	D4	290	420	325	200	200	0	310	232	78	232	232	35	
9	D5	310	390	445	220	195	25	280	150	130	150	150	150	
10	D6	285	430	330	195	195	0	320	280	40	280	280	15	
11	D7	285	460	375	195	155	40	350	155	195	155	155	60	
12	D8	285	510	420	195	195	0	400	195	205	195	195	95	
13	E2	340	265	365	250	250	0	175	175	0	175	175	0	
14	E3	340	325	395	250	250	0	235	180	55	180	180	60	
15	E4	325	310	435	235	215	20	220	160	60	160	160	20	
16	F2	345	310	410	255	250	5	220	175	45	175	175	25	
17	F3	340	340	465	250	250	0	250	240	10	240	240	50	
18	G1	390	280	460	300	300	0	190	190	0	190	190	0	
19	G2	390	300	480	300	300	0	210	210	0	210	210	20	
20	G3	390	370	430	300	290	10	280	190	90	190	190	80	
21	G4	390	370	395	300	300	0	280	280	0	280	280	25	
22	G5	380	340	455	290	250	40	250	200	50	200	200	20	
23	G6	340	310	445	250	250	0	220	220	0	220	220	0	
24	H3	410	445	485	320	320	0	355	215	140	215	215	40	
25	H4	410	430	530	320	315	5	340	245	95	245	245	75	
26	H5	410	430	585	320	320	0	340	340	0	340	340	0	
27	I1	415	305	515	325	325	0	215	215	0	215	215	0	
28	I2	450	545	560	360	325	35	455	235	220	235	235	135	
29	I3	450	440	515	360	320	40	350	270	80	270	270	115	
30	I4	450	475	565	360	330	30	385	340	45	340	340	150	
31	I5	420	515	615	330	320	10	425	340	85	340	340	175	
32	J2	485	385	475	395	395	0	295	295	0	295	295	0	
33	J3	485	480	525	395	370	25	390	270	120	270	270	20	
34	J4	485	465	560	395	365	30	375	320	55	320	320	20	
35	K1	510	440	465	420	420	0	350	350	0	350	350	0	
36	K2	515	560	520	425	400	25	470	365	105	365	365	15	
37	K3	510	430	555	420	420	0	340	340	0	340	340	0	
38	K4	490	430	605	400	400	0	340	340	0	340	340	40	
39	K5	520	560	645	430	405	25	470	350	120	350	350	10	
40	L1	570	440	553	480	480	0	350	350	0	350	350	0	
41	L2	570	430	643	480	480	0	340	340	0	340	340	0	
42	L3	610	460	638	520	520	0	370	370	0	370	370	0	
43	L4	575	525	703	485	485	0	435	435	0	435	435	0	
44	L5	545	570	673	455	455	0	480	480	0	480	480	0	
45	L6	590	600	738	500	340	160	510	340	170	340	340	115	
46	M2	640	470	703	550	550	0	380	340	40	340	340	0	
47	M3	635	555	713	545	545	0	465	465	0	465	465	0	
48	N2	680	605	773	590	550	40	515	420	95	420	420	45	
49	N3	640	620	823	550	550	0	530	530	0	530	530	25	
50	N4	690	620	883	600	600	0	530	530	0	530	530	0	